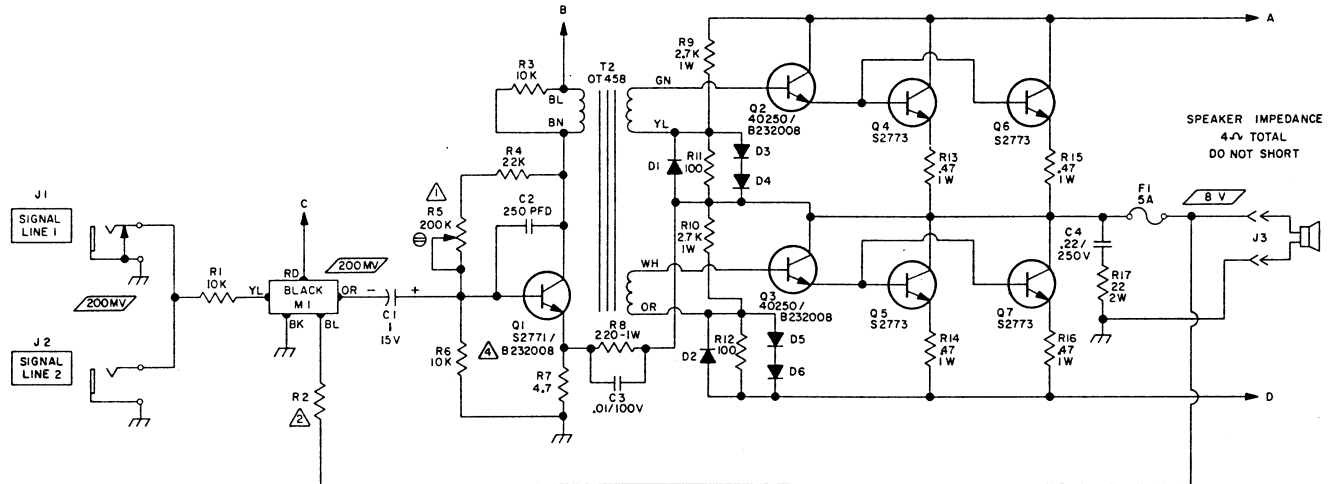
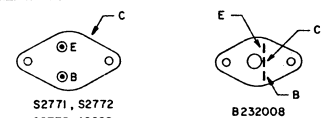
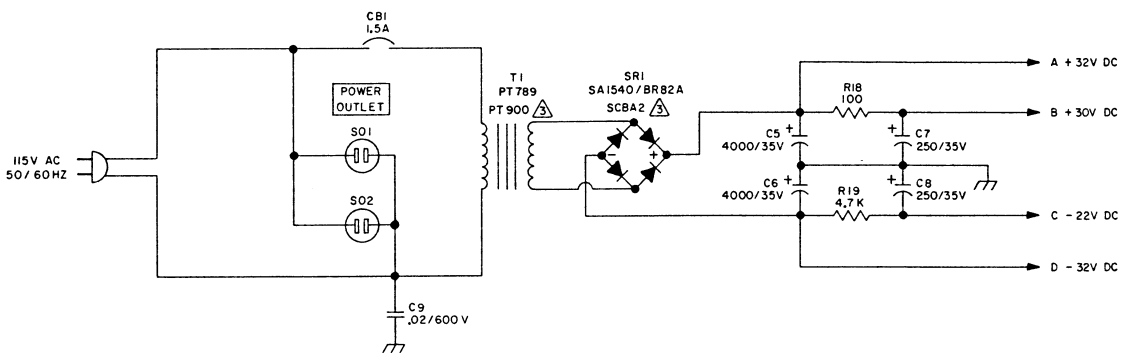


ITEM	STANDEL PART NO.	DESCRIPTION
R1	5-25	RESISTOR
R2	5-25	RESISTOR
R3	5-25	RESISTOR
R4	5-27	RESISTOR
R5	10-6	VARIABLE RESISTOR
R6	5-25	RESISTOR
R7	5-3	RESISTOR
R8	5-78	RESISTOR
R9,10	5-86	RESISTOR
R11,12	5-5	RESISTOR
R13,14,15,16	5-1	RESISTOR
R17	5-74	RESISTOR
R18	5-5	RESISTOR
R19	5-24	RESISTOR
C1	4-11	ELECTROLYTIC CAP
C2	4-19	CAPACITOR
C3	4-16	CAPACITOR
C4	4-12	CAPACITOR
C5,6	4-1	ELECTROLYTIC CAP
C7,8	4-6	CAPACITOR
C9	4-15	CAPACITOR
J1,2	15-2	OPEN CIRCUIT JACK
J3	60-2	SPEAKER JACK
M1	22-7A	BLACK MODULE
F1	17-101	3AG PIGTAIL FUSE
D1,2	7-18	DIODE
D3,4,5,6	7-17	DIODE
Q1	7-14, 7-19	DRIVER TRANSISTOR
Q2,3	7-19	CASCADE DRIVER TSTR
Q4,5,6,7	7-12	OUTPUT TRANSISTOR
T1	2-1, 2-9	POWER TRANSFORMER
T2	2-6	DRIVER TRANSFORMER
CBI	17-107	CIRCUIT BREAKER
SO1,2	9-1	POWER OUTLET
SRI	7-11, 7-15	BRIDGE RECTIFIER



SPEAKER IMPEDANCE
4Ω TOTAL
DO NOT SHORT



BOTTOM VIEW

- NOTES:
- 1 RESISTANCE VALUES IN OHMS (K=1000).
 - 2 ALL RESISTORS 1/2 WATT UNLESS NOTED.
 - 3 CAPACITANCE VALUES ARE IN MICROFARADS UNLESS NOTED (PFD = MICROMICROFARADS).
 - 4 INDICATES ACTUAL PANEL NOTATION.
 - 5 INDICATES APPROX. RMS SIGNAL LEVEL WITH 300 HZ INPUT SIGNAL.
 - 6 ALL INDICATED DC VOLTAGE LEVELS ± 10%.

- ⊖ INDICATES SCREWDRIVER ADJUST.
- ⚠ ADJUST. FOR MINIMUM OUTPUT DISTORTION (APPROX. 1.2V DC ACROSS PRIMARY OF OT458).
- ⚠ FACTORY SELECTED VALUE FOR MAXIMUM OUTPUT OF 100W WITH 2V RMS INPUT. USED ONLY ON PB100.
- ⚠ INDICATES VALUES FOR PB100, MG24, MB24.

Standel.

SCHEMATIC DIAGRAM
1969
3 POWER SECTION
PB100, MG24, MG24S, MB24 & MB24S

DRAFTSMAN H.M.M.	CHECKED M.D.B.	APP R.C.C.	DATE 9-4-68	1D010
---------------------	-------------------	---------------	----------------	-------